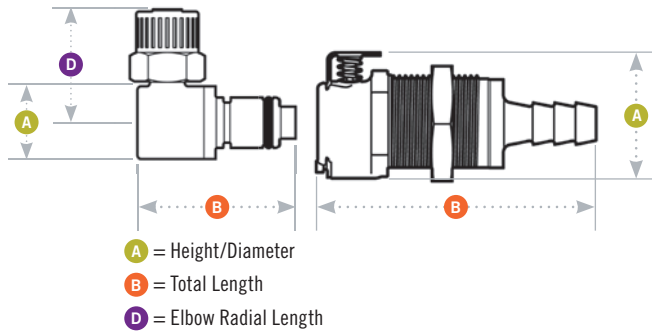
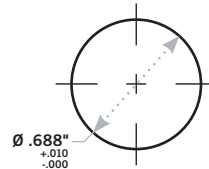


PLC12 DIMENSIONS



Panel Dimensions

	PANEL OPENING	PANEL THICKNESS MAX.-MIN.	PANEL NUT HEX	PANEL NUT THREAD
COUPLING BODIES	see drawing	.30 - .02	13/16	11/16-24UNEF
COUPLING INSERTS	see drawing	.30 - .02	13/16	11/16-24UNEF



Coupling Bodies • POLYPROPYLENE

TERMINATION	TUBING/THREAD SIZE	METRIC EQ.	STRAIGHT THRU	SHUTOFF	A	B
IN-LINE PIPE THREAD	1/4" NPT		PLC1000412	PLCD1000412	1.00	1.15
	1/4" BSPT		PLC1000412BSPT	PLCD1000412BSPT	1.00	1.15
	3/8" NPT		PLC1000612	PLCD1000612	1.00	1.15
	3/8" BSPT		PLC1000612BSPT	PLCD1000612BSPT	1.00	1.15
PANEL MOUNT FERRULESS POLYTUBE FITTING, PTF†	3/8" OD, 1/4" ID	9.5mm OD, 6.4mm ID	PLC1200612	PLCD1200612	1.00	1.95
PANEL MOUNT HOSE BARB	1/4" ID	6.4mm ID	PLC1600412	PLCD1600412	1.00	1.95
	3/8" ID	9.5mm ID	PLC1600612	PLCD1600612	1.00	1.95
IN-LINE FERRULESS POLYTUBE FITTING, PTF†	3/8" OD, 1/4" ID	9.5mm OD, 6.4mm ID	PLC1300612	PLCD1300612	1.02	1.96
IN-LINE HOSE BARB	1/4" ID	6.4mm ID	PLC1700412	PLCD1700412	1.02	1.96
	3/8" ID	9.5mm ID	PLC1700612	PLCD1700612	1.02	1.96
IN-LINE SOFTUBE™ FITTING	3/8" OD, 1/4" ID	9.5mm OD, 6.4mm ID		PLCD17040612	1.02	2.20
	1/2" OD, 3/8" ID	12.7mm OD, 9.5mm ID		PLCD17060812	1.02	2.36

PLC12 Coupling Readers • POLYPROPYLENE

TERMINATION	TUBING/THREAD SIZE	METRIC EQ.	STRAIGHT THRU	SHUTOFF	A	B
IN-LINE HOSE BARB (RS-232 Interface)	1/4" ID	6.4mm ID		iPLCDR1700400	1.39	2.78
	3/8" ID	9.5mm ID		iPLCDR1700600	1.39	2.78
IN-LINE HOSE BARB (USB Interface)	1/4" ID	6.4mm ID		iPLCDR1700401	1.00	1.38/2.05
	3/8" ID	9.5mm ID		iPLCDR1700601	1.05	1.74/1.87

All measurements are in inches (millimeters) unless otherwise noted. Tubing must meet stated inside and outside diameters. †NOTE: CPC's Ferruleless Polytube Fitting terminations do not require ferrules to achieve a secure connection, which makes them easier to use and reuse. PTF fittings are designed for semi-rigid tubing, i.e., polyethylene, nylon, polyurethane, etc. NOTE: JG is a registered trademark of John Guest USA, Inc.

Coupling Inserts • POLYPROPYLENE



TERMINATION IN-LINE PIPE THREAD

PANEL MOUNT HOSE BARB

IN-LINE FERRULELESS POLYTUBE FITTING, PTF†

IN-LINE HOSE BARB

IN-LINE SOFTUBE™ FITTING

ELBOW FERRULELESS POLYTUBE FITTING, PTF†

ELBOW HOSE BARB

IN-LINE HOSE BARB (RS-232 Interface)

ELBOW HOSE BARB (RS-232 Interface)

TUBING/THREAD SIZE METRIC EQ.
1/4" NPT

STRAIGHT THRU
PLC2400412

SHUTOFF
PLCD2400412

A
.72

B
1.26/1.67

D

1/4" ID 6.4mm ID

PLC4200412
PLC4200612

PLCD4200412
PLCD4200612

.94
.94

1.91/2.05
1.91/2.05

3/8" OD, 1/4" ID 9.5mm OD, 6.4mm ID

PLC2000612

PLCD2000612

.72

1.68/1.82

1/4" ID 6.4mm ID
3/8" ID 9.5mm ID

PLC2200412
PLC2200612

PLCD2200412
PLCD2200612

.63
.63

1.35/2.00
1.35/1.82

3/8" OD, 1/4" ID 9.5mm OD, 6.4mm ID
1/2" OD, 3/8" ID 12.7mm OD, 9.5mm ID

PLCD22040612
PLCD22060812

.72
.72

2.23
2.18

3/8" OD, 1/4" ID 9.5mm OD, 6.4mm ID

PLC2100612

PLCD2100612

.61/.62

1.29/1.36

.95

1/4" ID 6.4mm ID
3/8" ID 9.5mm ID

PLC2300412
PLC2300612

PLCD2300412
PLCD2300612

.63
.63

1.22/1.36
1.28/1.42

.96
.96

1/4" ID 6.4mm ID
3/8" ID 9.5mm ID

iPLCT2200400
iPLCT2200600

iPLCDT2200400
iPLCDT2200600

1.39
1.39

2.78
2.78

1/4" ID 6.4mm ID
3/8" ID 9.5mm ID

iPLCT2300400
iPLCT2300600

iPLCDT2300400
iPLCDT2300600

1.48
1.48

1.27/1.40
1.33/1.46

All measurements are in inches (millimeters) unless otherwise noted. Tubing must meet stated inside and outside diameters. Couplings are pictured with valves unless otherwise noted.

†NOTE: CPC's Ferruleless Polytube Fitting terminations do not require ferrules to achieve a secure connection, which makes them easier to use and reuse. PTF fittings are designed for semi-rigid tubing, i.e., polyethylene, nylon, polyurethane, etc. NOTE: JG is a registered trademark of John Guest USA, Inc.